

AQUAJET - AQUAJETINOX

SELF-PRIMING AUTOMATIC BOOSTER



DOMESTIC WATER SUPPLY

Automatic water lifting units, suitable for domestic use, small installations for civil, agricultural, industrial use, washing and hobby applications.

The unit is equipped with a JET or JETINOX type self-priming electropump, vessel, pressure switch for automatic operation, pressure gauge, fitting kit between pump and motor, all pre-assembled.

Tank: horizontal, 20 litres capacity type, inner single diaphragm high-grade butyl membrane and virgin polypropylene liner, complete with stands at the bottom and brackets for fixing the pump to the top.

Operating range: up to 5.4 m³/h with head up to 61 metres

Liquid temperature range: from 0°C to +35°C for domestic use from 0°C to +40°C for other use

Pumped liquid characteristics: clean, free from solids or abrasive substances, not viscous, not aggressive, not crystallised and chemically neutral.

Maximum ambient temperature: +40°C

Maximum working pressure: 8 bar (800 kPa)

Protection level: IP 44 (IP 55 terminal board protection).

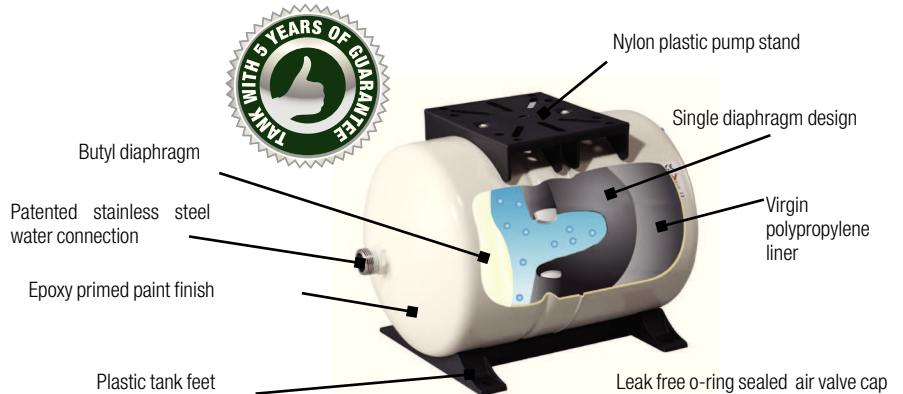
Insulation class: F

ACCESSORIES

PAG. 285

TECHNICAL DATA - AQUAJET

MODEL	CODE	ELECTRICAL DATA							HYDRAULIC DATA									
		VOLTAGE 50 Hz	P1 MAX KW	P2 NOMINAL		In A	CAPACITOR		Q=m ³ /h	0		0,6	1,2	1,8	2,4	3,0	3,6	4,2
kw	HP			μF	Vc		Q=l/min	0		10	20	30	40	50	60	70	80	
AQUAJET 82 M - G	60121345	1x220-240 V ~	0,85	0,6	0,8	3,8	12,5	450	H (m)	47	40	34	30	26,2	23,5	20,3		
AQUAJET 102 M - G	60121344	1x220-240 V ~	1,13	0,75	1	5,1	16	450		53,8	47	41	36,3	32,4	28,8	25,8		
AQUAJET 112 M - G	60141881	1x220-240 V ~	1,4	1	1,36	6,2	25	450		61	54	47,8	42,8	38,8	34,8	22		
AQUAJET 92 M - G	60141882	1x220-240 V ~	0,94	0,75	1	4,2	14	450		36,2	33,5	31	28,4	26	24	21,8	19,6	17,5
AQUAJET 132 M - G	60141883	1x220-240 V ~	1,43	1	1,36	4,7-2,7	25	450		48,3	45,6	42,8	40	37,6	35	32,5	30	27,2



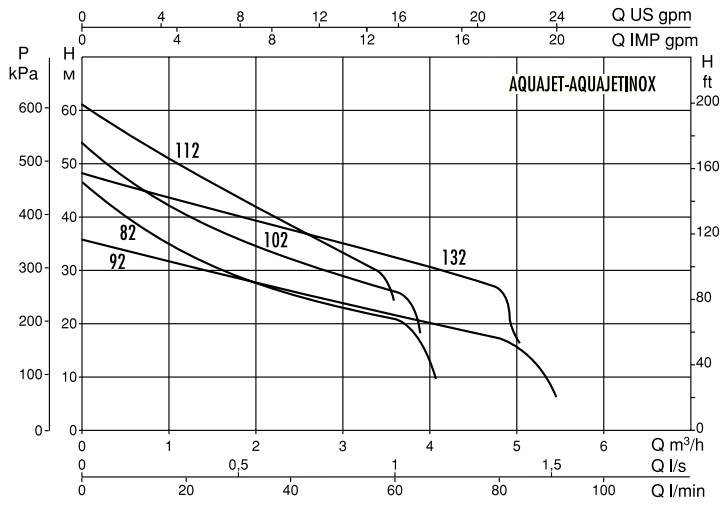
TECHNICAL DATA - AQUAJETINOX

MODEL	CODE	ELECTRICAL DATA							HYDRAULIC DATA									
		VOLTAGE 50 Hz	P1 MAX KW	P2 NOMINAL		In A	CAPACITOR		Q=m ³ /h	0		0,6	1,2	1,8	2,4	3,0	3,6	4,2
kw	HP			μF	Vc		Q=l/min	0		10	20	30	40	50	60	70	80	
AQUAJET-INOX 82 M - G	60141884	1x220-240 V ~	0,85	0,6	0,8	3,8	12,5	450	H (m)	47	40	34	30	26,2	23,5	20,3		
AQUAJET-INOX 102 M - G	60141885	1x220-240 V ~	1,13	0,75	1	5,1	16	450		53,8	47	41	36,3	32,4	28,8	25,8		
AQUAJET-INOX 112 M - G	60141886	1x220-240 V ~	1,4	1	1,36	6,2	25	450		61	54	47,8	42,8	38,8	34,8	20		
AQUAJET-INOX 92 M - G	60141887	1x220-240 V ~	0,94	0,75	1	4,2	14	450		36,2	33,5	31	28,4	26	24	21,8	19,6	17,5
AQUAJET-INOX 132 M - G	60141888	1x220-240 V ~	1,43	1	1,36	4,7-2,7	25	450		4,3	45,6	42,8	40	37,6	35	32,5	30	27,2

AQUAJET - AQUAJETINOX

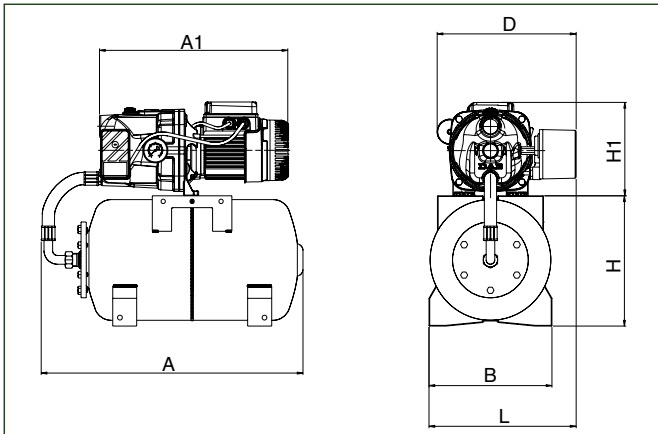
SELF-PRIMING AUTOMATIC BOOSTER

AQUAJET - AQUAJETINOX

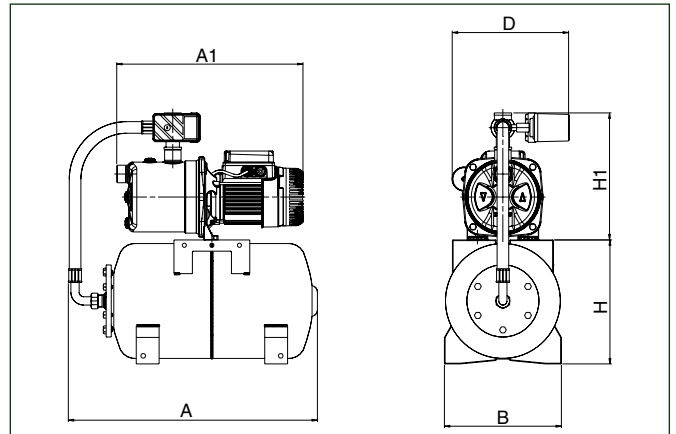


DIMENSIONS AND WEIGHTS

AQUAJET



AQUAJET-INOX



MODEL	A	A1	B	D	H	H1	L	PACKAGING DIMENSIONS			DNA GAS	DNM GAS	WEIGHT KG	Q.TY X PALLET
								L/A	L/B	H				
AQUAJET 82 M - G	482	390	289	288	289	239	320	566	360	510	1"	1"	18,2	12
AQUAJET 102 M - G	482	409	289	293	289	239	320	566	360	510	1"	1"	20,0	12
AQUAJET 112 M - G	482	409	289	293	289	239	320	566	360	510	1"	1"	21,0	12
AQUAJET 92 M - G	482	390	289	288	289	239	320	566	360	510	1"	1"	19,2	12
AQUAJET 132 M - G	482	409	289	293	289	239	320	566	360	510	1"	1"	21,0	12
AQUAJET-INOX 82 M - G	482	406	289	-	289	276	-	566	360	590	1"	1"	15,3	12
AQUAJET-INOX 102 M - G	482	424	289	260	289	276	-	566	360	590	1"	1"	17,1	12
AQUAJET-INOX 112 M - G	482	424	289	260	289	276	-	566	360	590	1"	1"	18,1	12
AQUAJET-INOX 92 M - G	482	406	289	-	289	276	-	566	360	590	1"	1"	15,3	12
AQUAJET-INOX 132 M - G	482	424	289	260	289	276	-	566	360	590	1"	1"	18,1	12